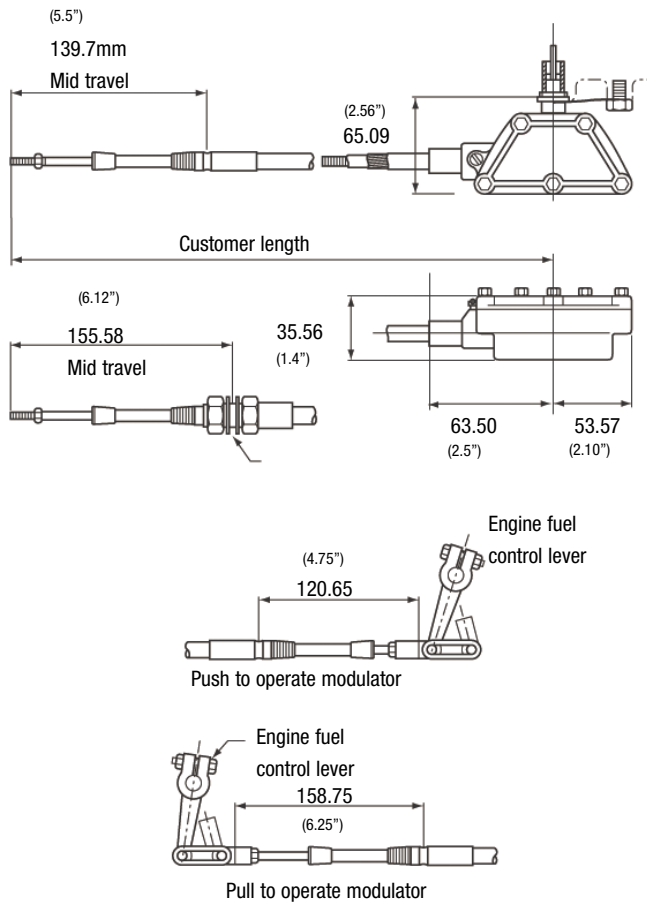




Modulator Valve Control Assembly



If using a diesel engine with an automatic transmission, the fourth component of your Teleflex Morse control system is the Modulator. The Teleflex Morse Modulator valve control assembly consists of a modulator valve control and modulator cable.



Design considerations: The Modulator Valve Control is designed for 21mm to 30mm max. travel. Operating force required to actuate modulator assembly is approximately 5 to 6 pounds at maximum linear travel of 38mm. The assembly is supplied in a push or pull to operate configuration. A slip link must be installed to allow the fuel control lever and accelerator system to return to the idle position.



Modulator Valve Control Assembly



Modulator Selection

Determine direction engine fuel control lever moves to wide open throttle (W.O.T.)

Plan cable path from engine fuel control lever to transmission. Avoid high temperature areas and minimise bends (200mm min. radius) in cable for long life.

Measure Modular Valve Control assembly length from centreline of transmission modular opening to extreme end of cable at mid-travel. See “Customer Length” dimension, on diagram.

Note: The Teleflex Morse Modulator Valve can be field converted from push to pull or pull to push operation. (See instruction sheet packed with modulator).

Elevated temperature modulator assemblies are applicable for maximum temperatures of 250 deg. F sustained, or 325 deg. F intermittent.

Ordering information

1. Order the Modulator Valve Control assembly to length required. Specify Base Number and length, in MTS.
2. For each clamp hub, order one cable clamp and one shim or one “U” bolt kit.

Description	Part Number
Pull to operate Modulator, Clamp Type cable	310777/Length
Push to operate Modulator, Clamp Type cable	310782/Length
Slip Link kit	211307
Pull to operate Modulator. Bulk Head Type Cable	310783/Length
Push to operate Modulator, Bulk Head Type Cable	310784/Length
Replacement Parts	Part Number
Modulator Valve Control service Kit. Does not include housing (if housing fails replace entire AM 11 Modulator assembly)	301820 (bag of modulator piece parts)
Clamp Type Cable Standard	311236/Length
Bulkhead Type Cable Standard	311237/Length
When ordering replacement cables, indicate length in metres	