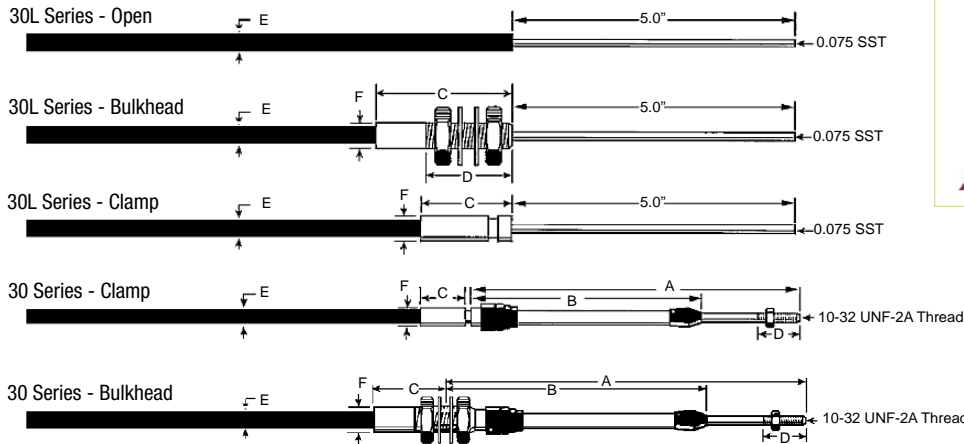




Positive Locks allow desired settings to be made and released by turning the T-handle less than 1/8 of a turn in either direction.



CABLE END TYPES

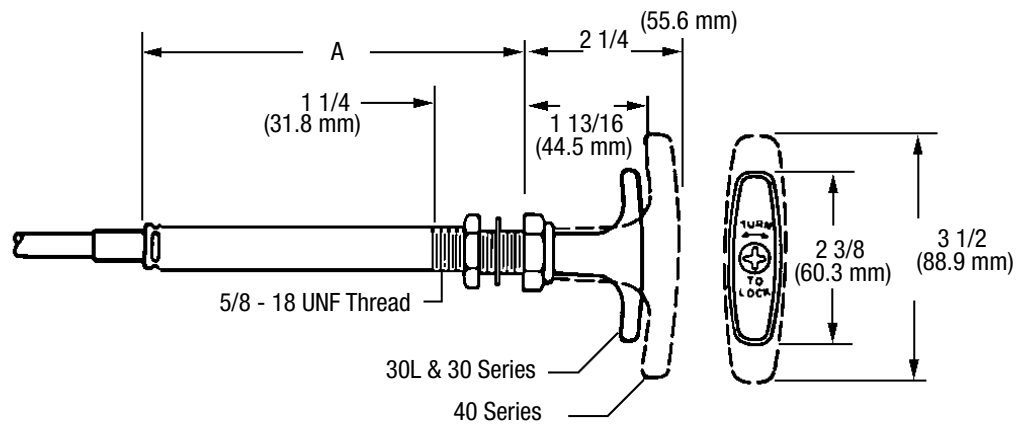


Cable Series	Part Number	End Type	Travel	"A"	"B"	"C"	"D"	"E" Dia.	"F" Dia.	Min. Bend Radius	
30L	043820-002-XXXX (length in inches)	OPEN	2" (50.8)	-	-	-	-	.26	-	6" (152.4)	
	043150-002-XXXX (length in inches)	BULKHEAD		-	-	1.88	1.00	.26	.38		
	043151-002-XXXX (length in inches)	CLAMP		-	-	1.31	-	.26	.38		
	30L	043820-003-XXXX (length in inches)	OPEN	3" (76.2)	-	-	-	-	.26	-	6" (152.4)
		043150-003-XXXX (length in inches)	BULKHEAD		-	-	1.88	1.00	.26	.38	
		043151-003-XXXX (length in inches)	CLAMP		-	-	1.31	-	.26	.38	
	30L	043820-004-XXXX (length in inches)	OPEN	4" (101.6)	-	-	-	-	.26	-	6" (152.4)
		043150-004-XXXX (length in inches)	BULKHEAD		-	-	1.88	1.00	.26	.38	
		043151-004-XXXX (length in inches)	CLAMP		-	-	1.31	-	.26	.38	
30	043143-002-XXXX (length in inches)	BULKHEAD	2" (50.8)	6.88 (174.7)	4.00 (101.6)	1.44	.88	.34	.44	5" (127.0)	
	043142-002-XXXX (length in inches)	CLAMP		6.19 (157.2)	3.31 (157.2)	1.13	.88	.34	.38		
	30	043143-003-XXXX (length in inches)	BULKHEAD	3" (76.2)	8.88 (225.5)	5.00 (127.0)	1.44	.88	.34	.44	5" (127.0)
		043142-003-XXXX (length in inches)	CLAMP		8.19 (208.0)	4.31 (109.4)	1.13	.88	.34	.38	
	30	043143-004-XXXX (length in inches)	BULKHEAD	4" (101.6)	10.88 (276.3)	6.00 (152.4)	1.44	.88	.34	.44	5" (127.0)
		043142-004-XXXX (length in inches)	CLAMP		10.19 (258.8)	5.31 (134.8)	1.13	.88	.34	.38	

All Dimensions are in inches (mm)

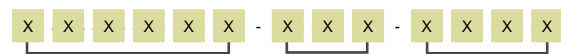


A = 3.50 (88.9 mm)	Travel = 1"
4.50 (114.3 mm)	2"
5.50 (139.7 mm)	3"
6.50 (165.1 mm)	4"
7.50 (190.5 mm)	5"



Cable Hardware	Part Number
30L Stop Collar	037693
T-Handle - black plastic	043133-001
30L Clamp	043229
30L Pivot	047639
30L Pivot	047640
30L Pivot	047641
T-Handle - aluminum, unpainted	063676
30L Bulkhead Adapter Kit	300673
30L Clamp Adapter Kit	302485
30C Clamp to Bulkhead Kit	304307

PART NUMBERING SYSTEM
(for cables only)



CABLE SERIES
PART NUMBER

TRAVEL
(3" STANDARD)

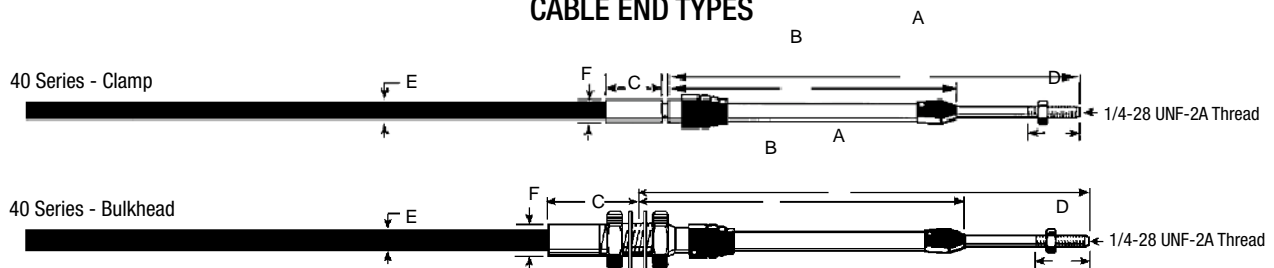
CABLE LENGTH
In inches (Place 0's in first two positions if less than 100')



Positive Locks allow desired settings to be made and released by turning the T-handle less than 1/8 of a turn in either direction.



CABLE END TYPES

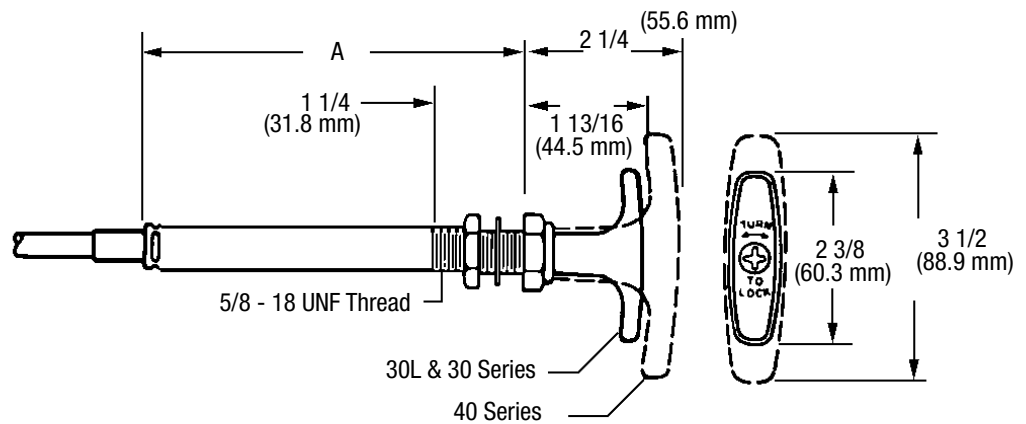


40 Series Cable Part Number	End Type	Travel	"A"	"B"	"C"	"D"	"E" Dia.	"F" Dia.	Min. Bend Radius
043145-002-XXXX (length in inches)	BULKHEAD	2" (50.8)	6.88	4.00	1.44	.88	.34	.44	5" (127.0)
043144-002-XXXX (length in inches)	CLAMP		6.19	3.31	1.13	.88	.34	.38	
043145-003-XXXX (length in inches)	BULKHEAD	3" (76.2)	8.88	5.00	1.44	.88	.34	.44	5" (127.0)
043144-003-XXXX (length in inches)	CLAMP		8.19	4.31	1.13	.88	.34	.38	
043145-004-XXXX (length in inches)	BULKHEAD	4" (101.6)	10.88	6.00	1.44	.88	.34	.44	5" (127.0)
043144-004-XXXX (length in inches)	CLAMP		10.19	5.31	1.13	.88	.34	.38	

All Dimensions are in inches (mm)



A = 3.50 (88.9 mm)	Travel = 1"
4.50 (114.3 mm)	2"
5.50 (139.7 mm)	3"
6.50 (165.1 mm)	4"
7.50 (190.5 mm)	5"



PART NUMBERING SYSTEM
(for cables only)

Cable Hardware	Part Number
T-Handle - aluminum, unpainted	048407
40C Clamp to Bulkhead Kit	304308

